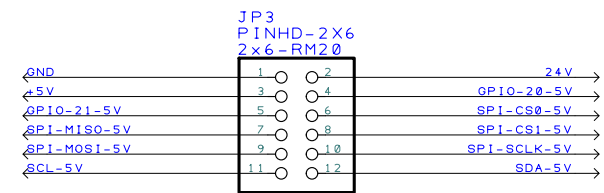
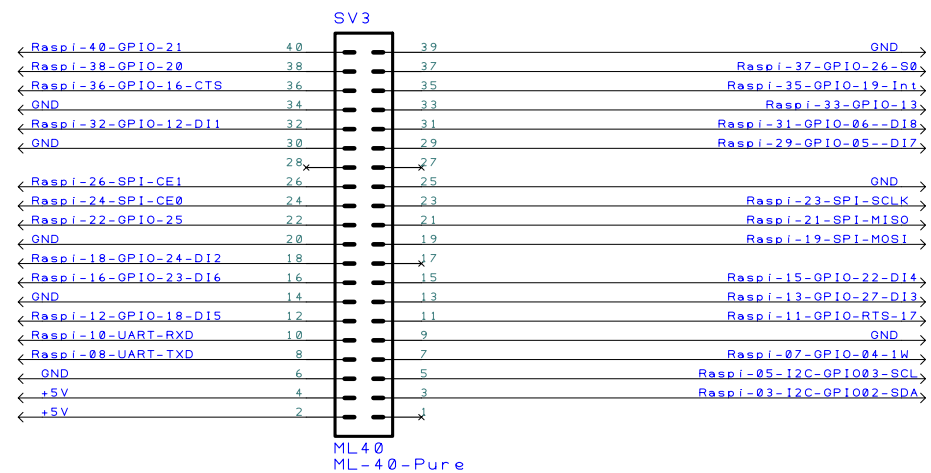
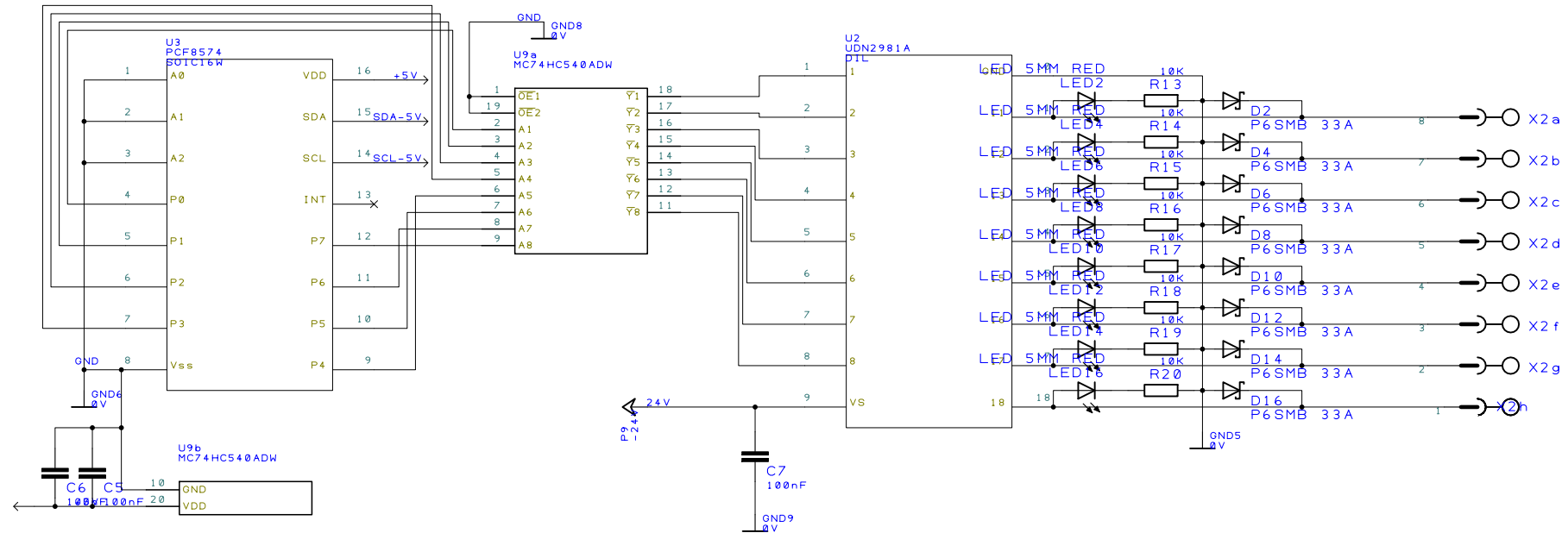
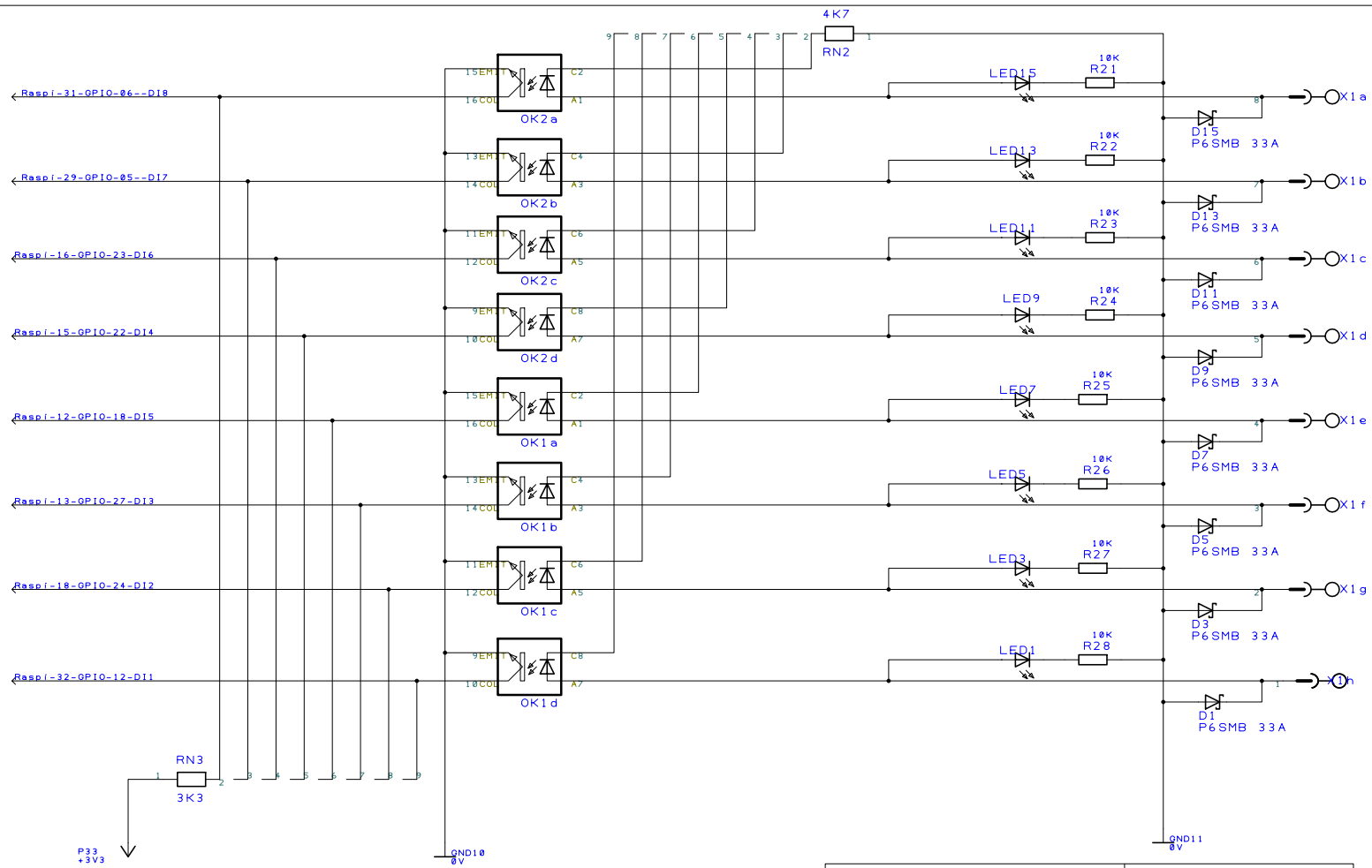
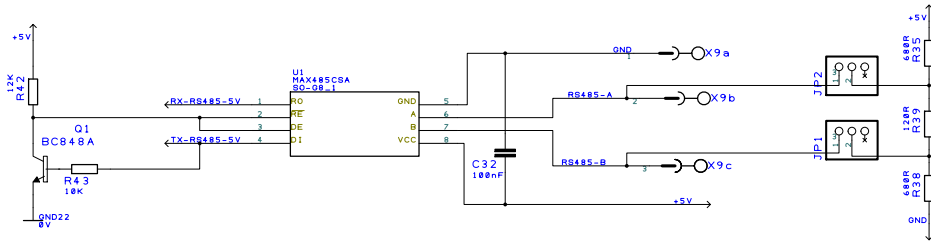
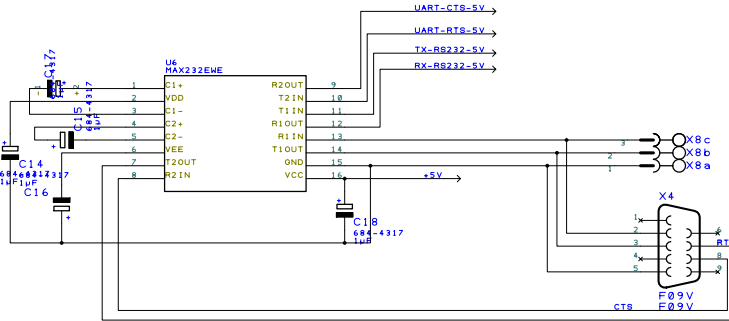


DWT-Multus Power Supply	
	2015-12-15
	Sheet :

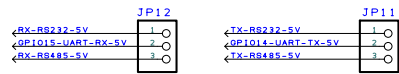


DWT-Multus	
Digital outputs	
Raspberry Pin-Header	
Board-to-Board Connector	2015-12-15
	Sheet :

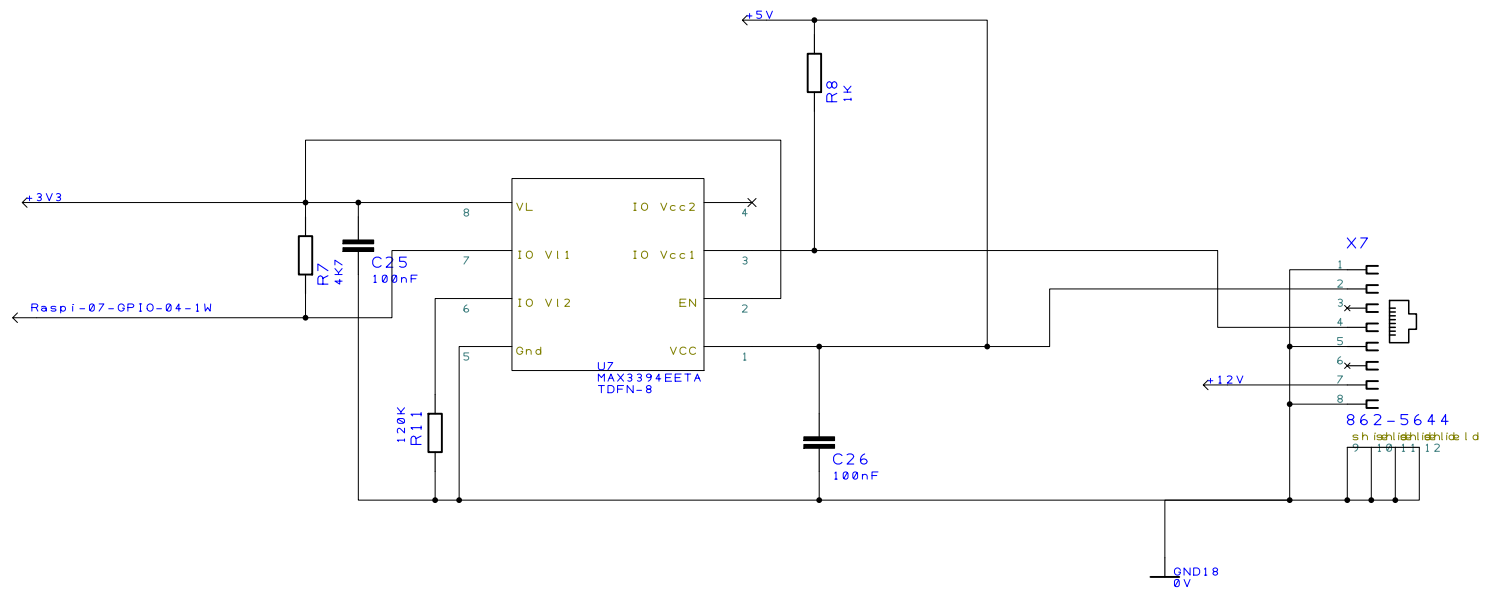


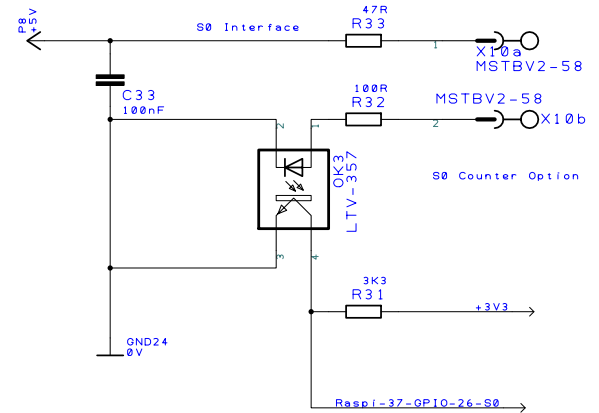
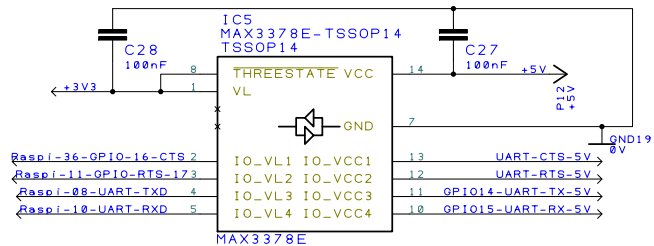
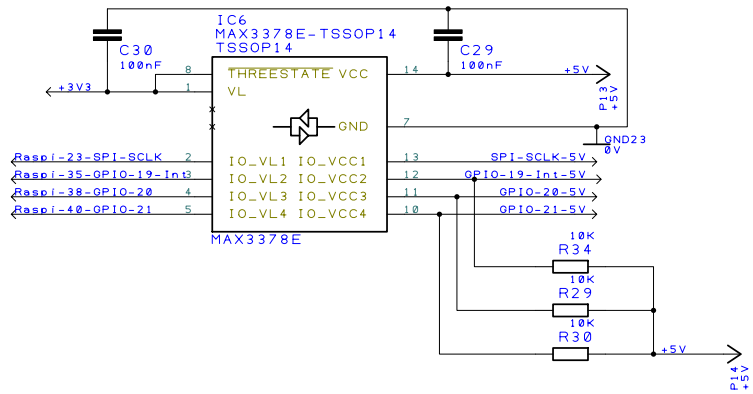
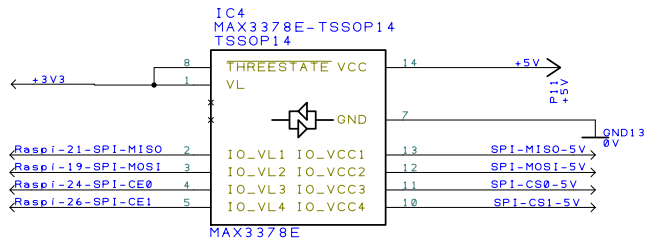


RS232 - RS485 Switch



DWT-Multis	
RS232 Interface	
RS485 Interface	
	2015-12-15
Sheet :	





DWT-Multus

S0 Counter Interface

Signal 3.3 - 5V Level Translate

2015-12-15

Sheet :

