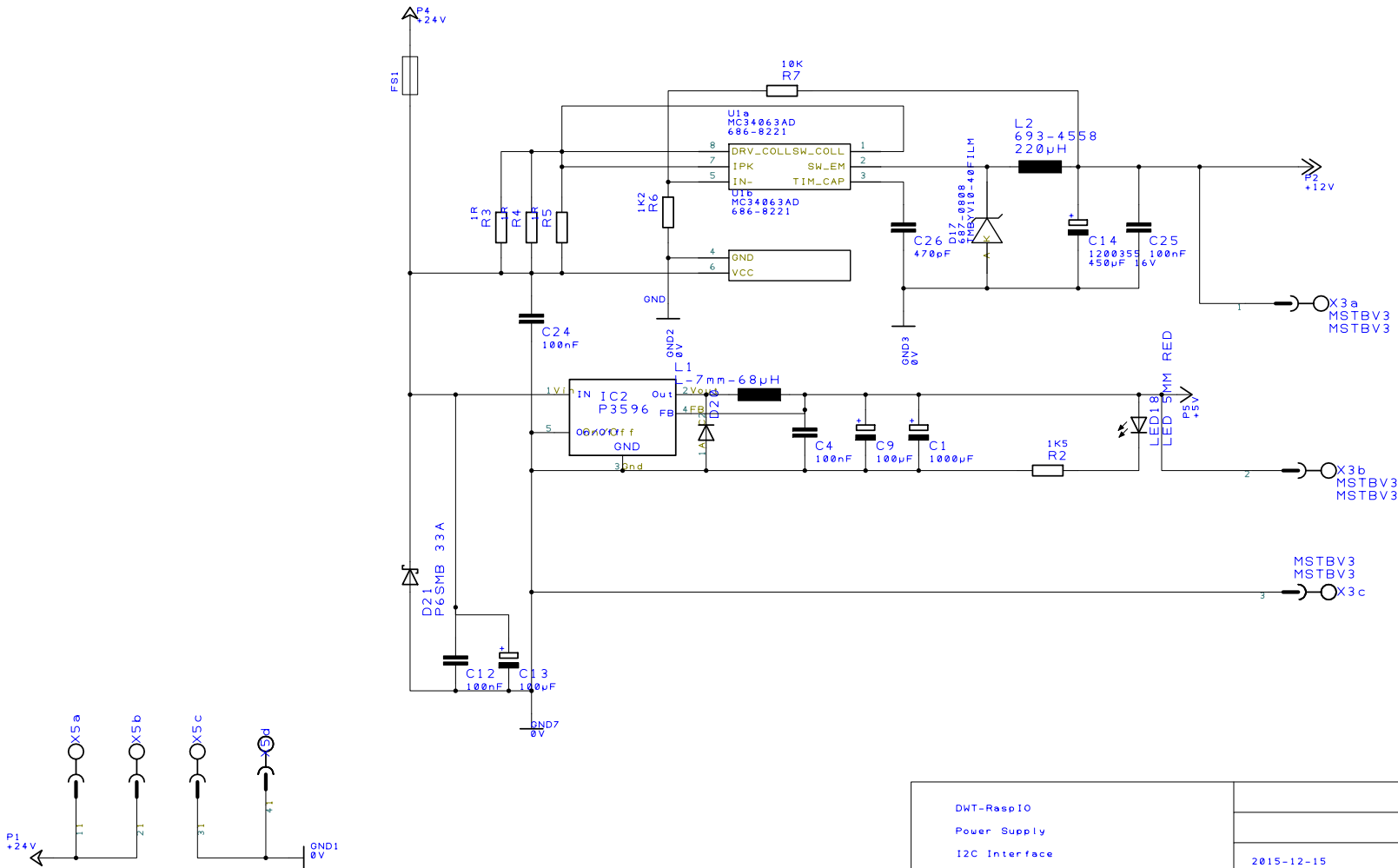
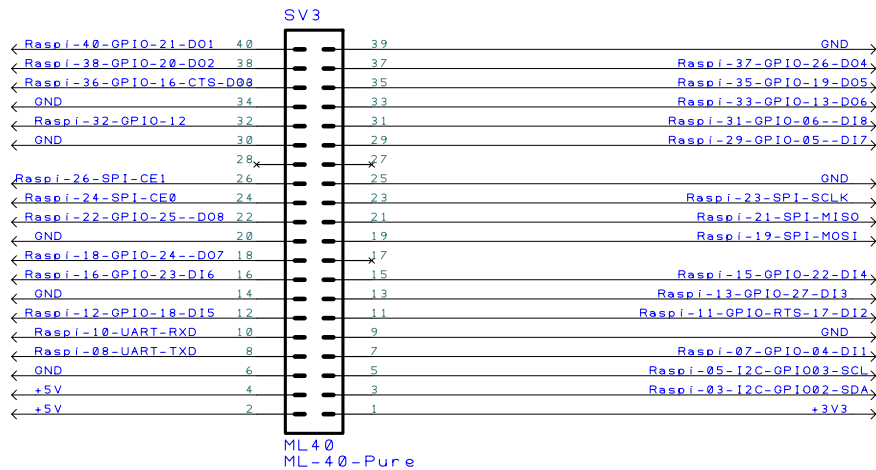
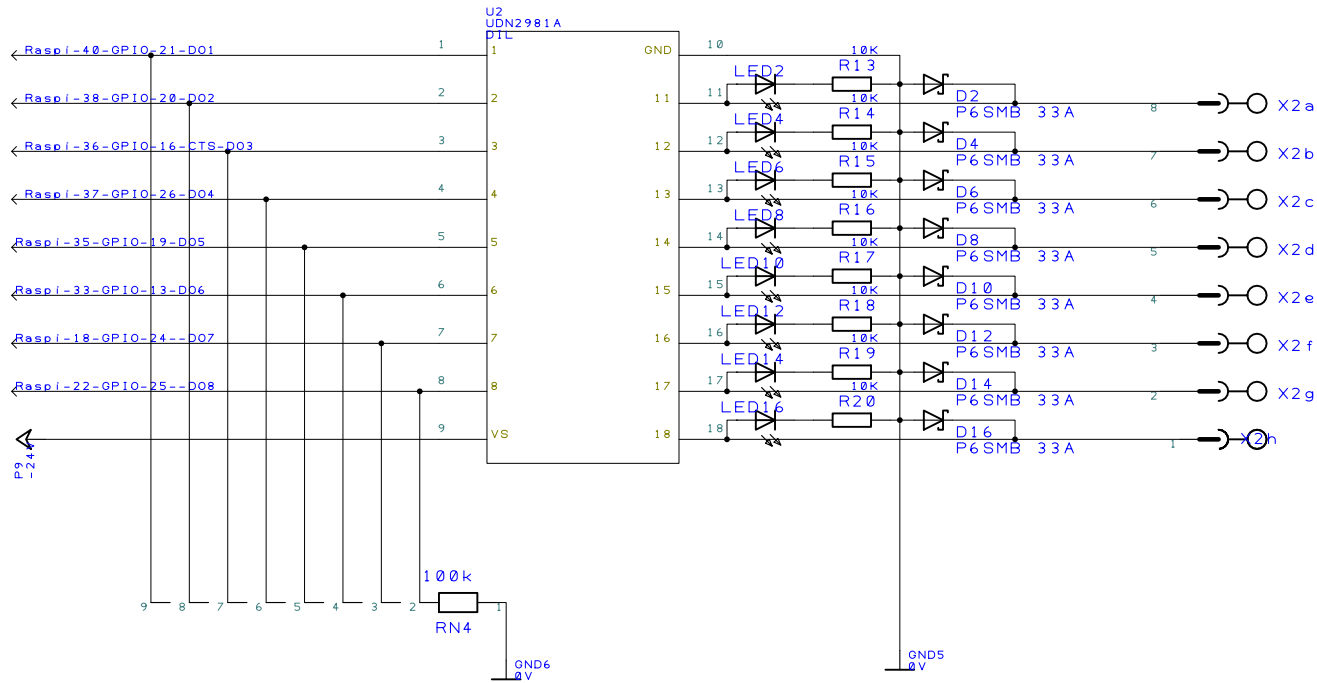


DWT-RaspIO I2C Interface	
	2015-12-15
Sheet :	



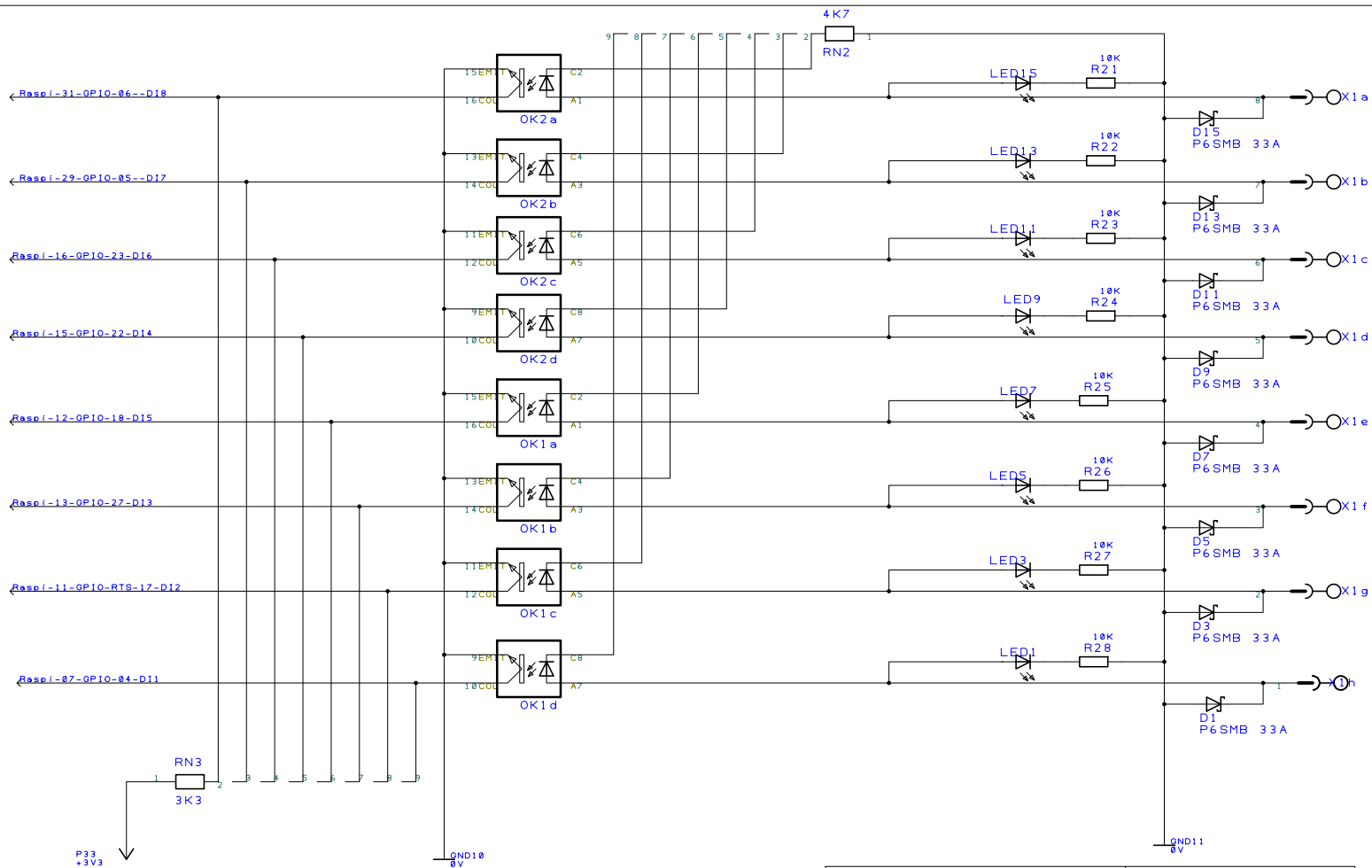
DWT-RespIO	
Power Supply	
I2C Interface	
RS232 Interface	
	2015-12-15
Sheet :	



DWT-Raspi0
Digital outputs

2015-12-15

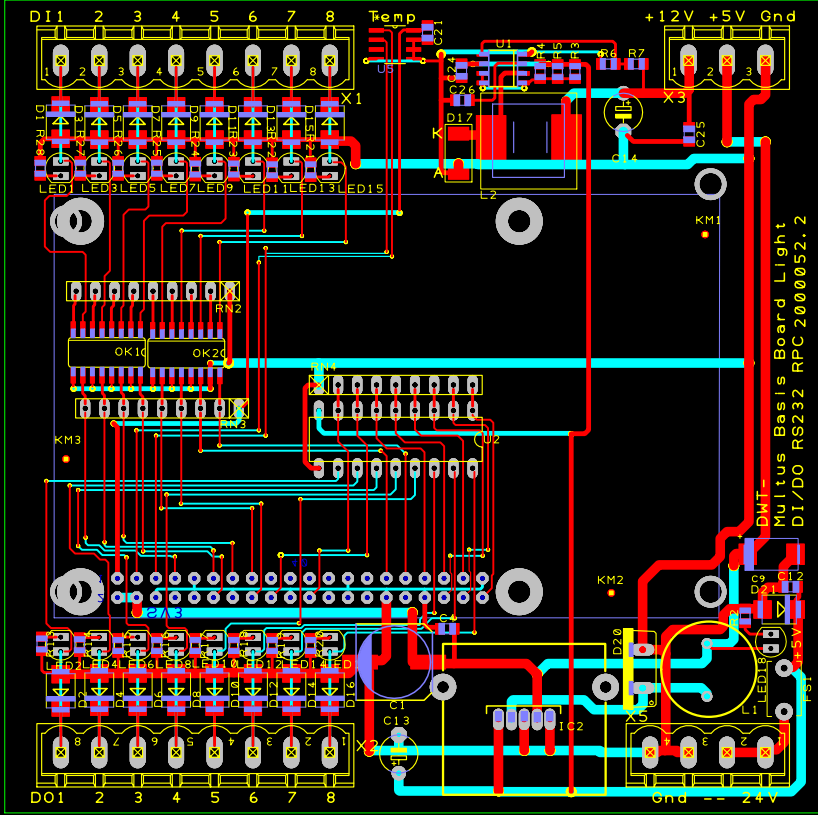
Sheet :



DWT-RaspIO
 Digital Inputs

2015-12-15

Sheet :



Multibus Basis Board Light
DI/DO RS232 RPC 2000052.2