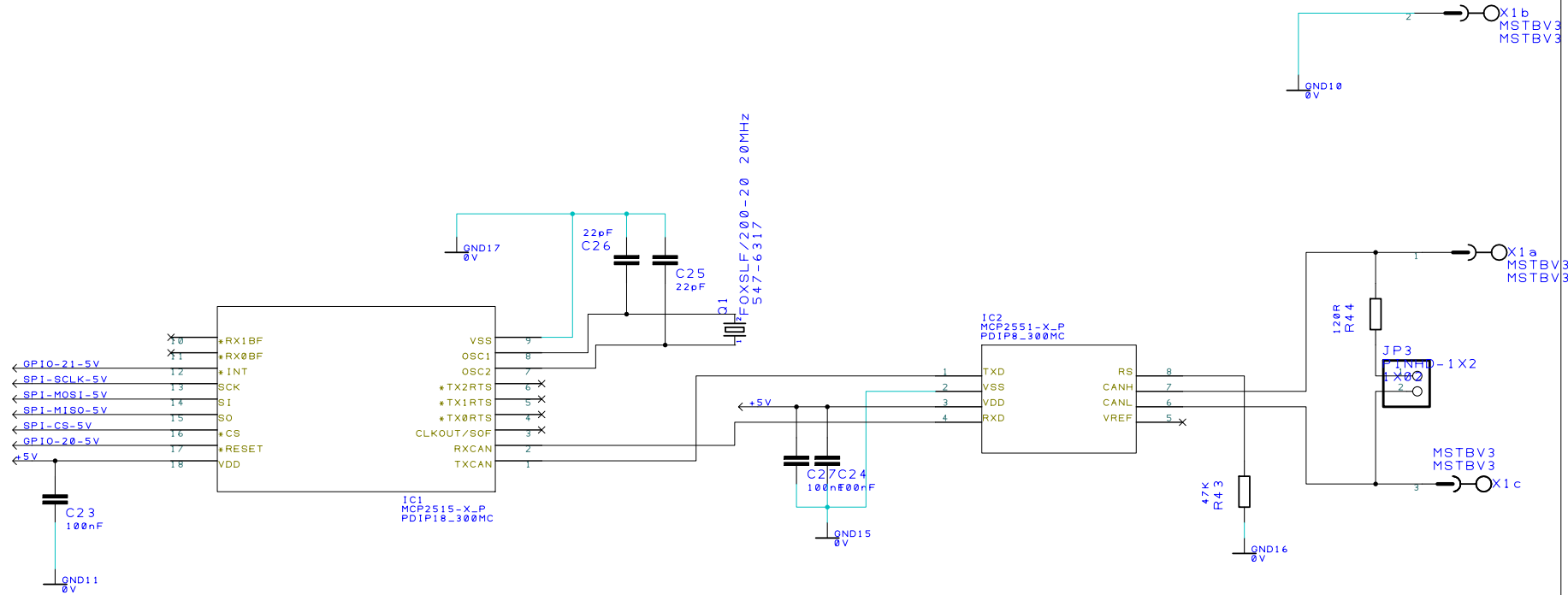


DWT-RaspIO

Bus Header

Referenzspannungsquelle 3.0V

Sheet :

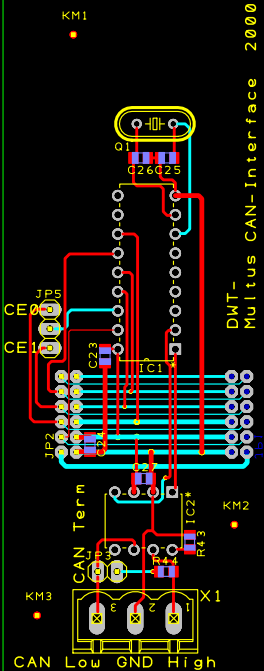


DWT-Multis

CAN-Interface

2016-05-11

Sheet :



DWT-
Multus CAN-Interface 200055 NG