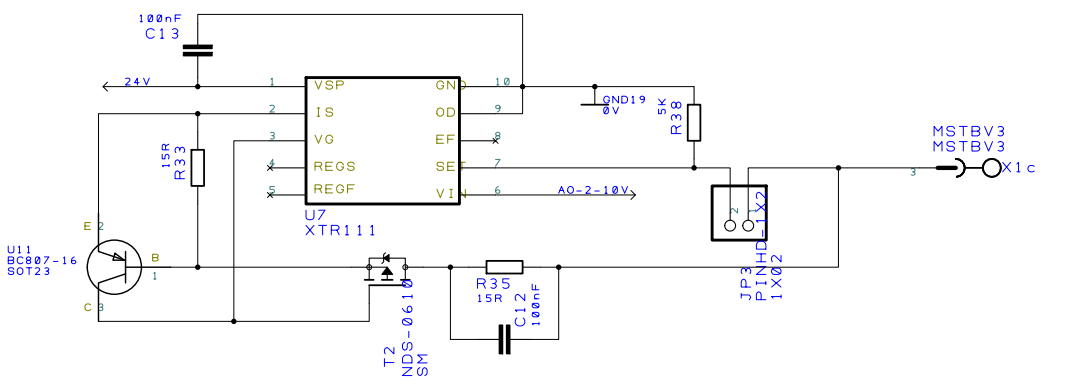
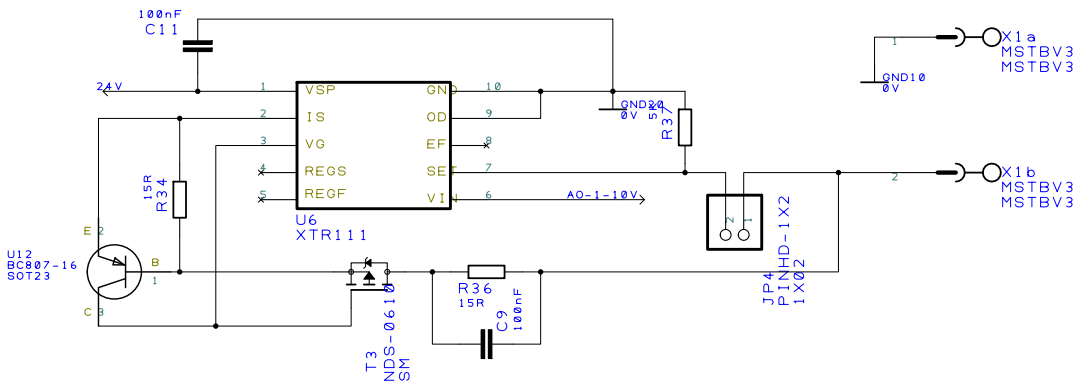
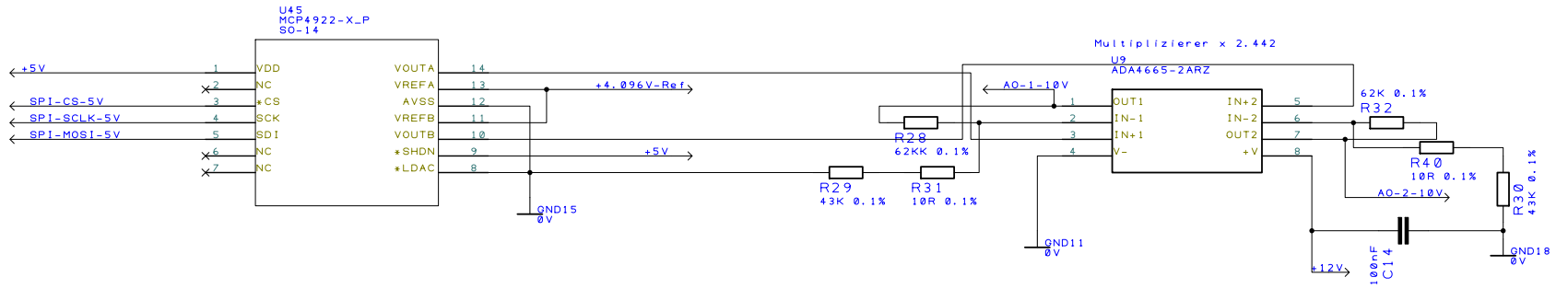


DWT-RaspIO

Bus Header

Referenzspannungsquelle 3.0V

Sheet :



DWT-RaspIO	
Analog Outputs	
Sheet :	

